

**MODEL 14020**  
**SENTINEL™**  
**DUAL SWING LEAF**  
**BARRIER GATE ARM**

*THE BEST CHOICE...For your traffic control needs.*  
*Serving our customers worldwide since 1985.*

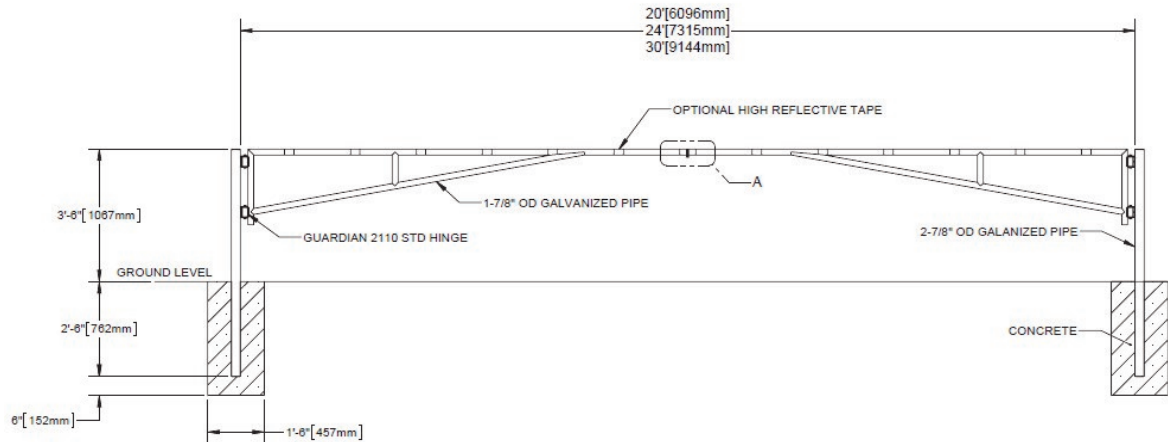
- DUAL SWING BARRIER GATE
- EASY TO INSTALL
- IN-GROUND
- GALVANIZED PIPE
- GUARDIAN 2110 HINGE



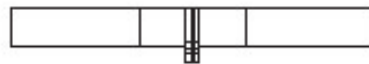
20' (6.1 m) Sections  
 275 lbs.

24' (7.3 m) Sections  
 320 lbs.

30' (9.1 m) Sections  
 370 lbs.



**GATE LOCKING TABS**



DETAIL A  
 SCALE 1 : 8

**DOUBLE GATE Part Numbers:**

14020.220—20'

14020.224—24'

14020.230—30'

CUSTOM SIZES AVAILABLE  
 COSTUM COLORS AVAILABLE  
 OPTIONAL RECEIVER POST

20' MODEL

Part #14020.220

24' MODEL

Part #14020.1224

30' MODEL

Part #14020.230

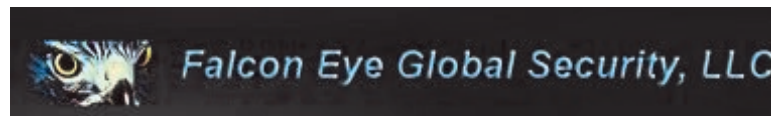
SWING BARRIER  
RECEIVER POST

Part #14030.100

(Recommended for all Units)

**1 Year Limited Warranty**

*GUARDIAN reserves the right to make changes to specifications at any time*



**Domenic Caruso, President**  
**(215) 266-0707**

dcaruso@falconeyeglobal.com

www.falconeyeglobal.com



COPYRIGHT © 2014 Guardian Traffic Systems