

**MODEL 13500
PROTECTOR
EXTREME™
MOTORIZED
TRAFFIC SPIKES**

- **AGGRESSIVE
HEAVY DUTY**
- **INSTALL IN
CONCRETE**

12' (3.5 meters) Unit
830 – 860 lbs.

13500 MODELS

Without Operator

13500.100 Safety Red
13500.120 Galvanized

13501 MODELS

w/Guardian Operator
& Aluminum Arm

13501.100 Safety Red
13501.120 Galvanized

13502 MODELS

w/Hi-Performance Operator
& Aluminum Arm

13502.100 Safety Red
13502.120 Galvanized

13503 MODELS

w/Hydraulic Operator &
Aluminum Arm

13503.100 Safety Red
13503.120 Galvanized

Available Options:

Safety Red or Yellow
Powder Coated

1 Year Limited Warranty

*THE BEST CHOICE...For your traffic control needs.
Serving our customers worldwide since 1985.*

PROTECTOR Xtreme™

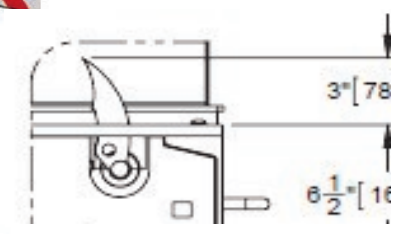


Motorized Aggressive In-Ground Traffic Spike System

Stops Wrong Way Traffic – Both Directions

Flush Mount to Road

Left or Right Handed Units



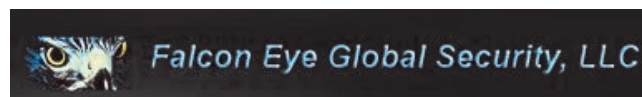
Guardian's PROTECTOR EXTREME™ In-Ground Traffic Spike Barrier System is designed and engineered for high-threat security facilities requiring a higher level of access protection. The PROTECTOR EXTREME™ is a complete integrated package with a robust, full-featured and powerful gate barrier arm that delivers a formidable and intimidating visual deterrent. The PROTECTOR EXTREME™ has aggressive stopping power by preventing the vehicle from unauthorized entry.

This totally self-contained design is extremely easy to install and set up, and provides exceptional value to the site that requires extra protection along with a cost-oriented solution for vehicular access control.

GUARDIAN reserves the right to make changes to specifications at any time

Domenic Caruso, President
(215) 266-0707

dcaruso@falconeyglobal.com
www.falconeyglobal.com



**MODEL 13500
PROTECTOR
EXTREME™
MOTORIZED
TRAFFIC SPIKES**

Includes 2' Spacer Tunnel,
9' of Spikes, Barrier
Operator—120 VAC and
12' Aluminum Arm

Specifications

Heavy Duty Steel Frame
Construction

Specially Engineered Teeth

Convenient Top Plate Access

Zinc Plated Moving Parts

Two-Way Traffic Capability—
Modular Style

Optional LED Stop-Go Light
w/Post & Mounting Bracket
Part #13340.200

For Additional Spikes

3' Spike Extension

Part #13500.330

Part #13500.332—Galvanized

Concrete Installation

Excavation Required

Read the *Installation Instructions*

**AUTOMATED
WARNING SIGNS**

Light Sign

Part #14115.100

Reflective Sign

Part #14150.100

Signs are available in Spanish.

WARNING SIGN POSTS

In-Ground

Part #14160.100

Surface Mount w/Flange

Part #14160.200

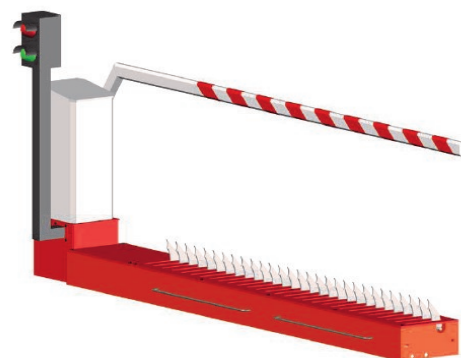
1 Year Limited Warranty

*"Aggressive—Motorized Traffic Spike System"
Built Top-Down—Not Bottom-Up*

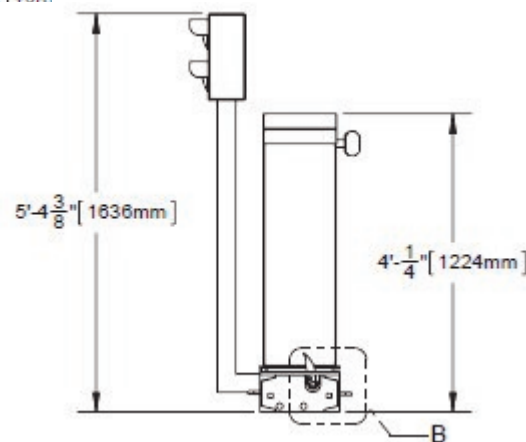
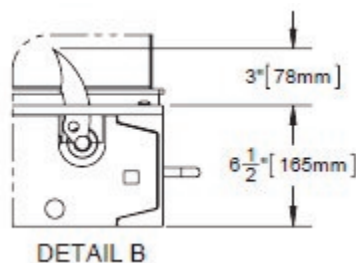
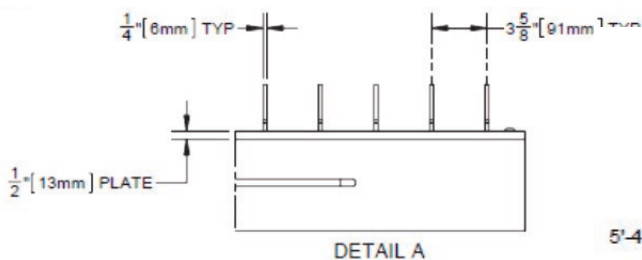
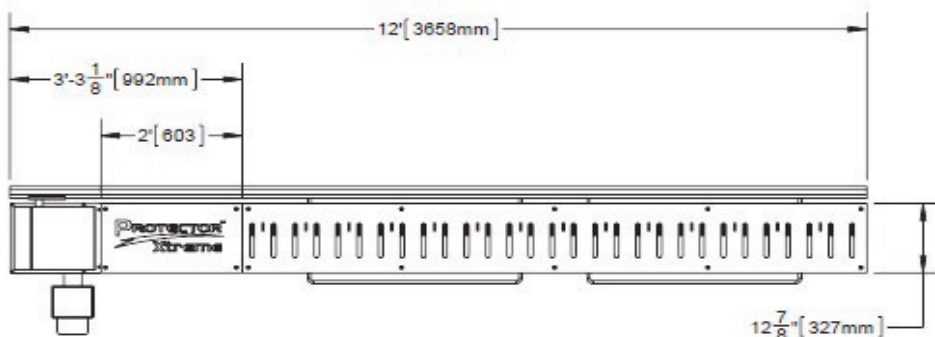


PROTECTOR Xtreme™

Features and Benefits



- *In-Ground Installation*
- *Fully Integrated Electro-Mechanical System*
- *Built Top-Down for Easy Maintenance*
- *Stops Traffic in Both Directions*
- *Works on All Access Control Devices*
 - *Push Buttons—Receiver*
 - *Open/Close Switches*
 - *Keypad*



**Domenic Caruso, President
(215) 266-0707**

dcaruso@falconeyglobal.com
www.falconeyglobal.com

