

Teratronik



Exit Station

Mag-Stripe MEC80N / MEC86N

Technical Data:

		MEC80N <i>Off-Line</i>	MEC86N <i>On-Line</i>
Mechanism		MRC50-E300	MRC50-E400
Display	Backlit	4x20 character	4x20 character
Voltage	LCD	115	115
Frequency	V AC	60	60
Power Consumption	Hz	600	600
Ticket Thickness	W	0.15 to 0.30	0.15 to 0.30
Environmental	mm	-4 to +104	-4 to +104
Weight	°F	100	100

Description

The MEC series of mag-stripe exit stations have been developed for use in single and multiple lane parking facilities.

The MEC Exit Station is used in an unmanned exit lane. A user defined exit time is encoded on the ticket using Magnetic's MDV Desktop Validator.

The Exit Station is activated when a vehicle is detected by a loop detector, or the patron inserts the mag-stripe ticket into the slot. The ticket is pulled into the read mechanism and the encoded data is read. If the ticket is valid it is placed into a holding bin, and the MEC Exit Station sends the gate vend signal to open the exit gate.

If the ticket is invalid or the exit time has been exceeded the MEC Exit Station will NOT send the vend signal. The ticket is returned to the patron and a message is displayed regarding the ticket error. (ie - exit time exceeded, ticket not paid, etc.).

Housing

For extreme durability and corrosion resistance the MEC Exit Station housing is constructed from 14 gauge

galvanized, phosphate treated sheet steel with a stainless steel base. As a standard the housing is powder coated with RAL 2000 polyester powder.

On-Line

The MEC85N on-line Exit Station provides transaction and unit status to the fee computer (POINTPlus) or central Facility computer in real-time.

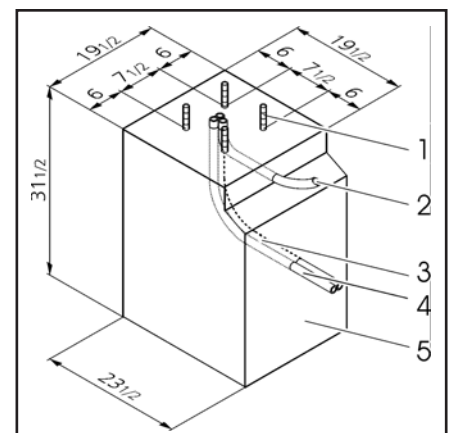
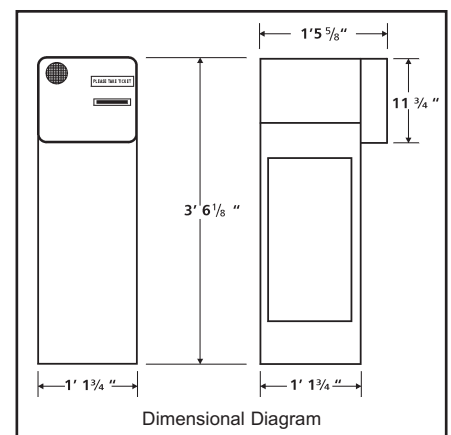
Optional Features

- 6 Custom powder coat color
- 6 Intercom system
- 6 Access / Proximity Reader
- 6 Custom Software

Foundation

Thanks to dimensions and construction that are identical to those of our MIB barriers, the same kind of foundation is required for the control column. Our info MM 5115 describes the preparation procedure for the foundation.

- 1 Anchor bolts (4 pieces)
- 2 Conduit for loop connection 1"
- 3 Conduit for main power cable 1"
- 4 Conduit for control cable 1"
- 5 Concrete foundation (BH PC 250 strength W = 4000lbf/in²)



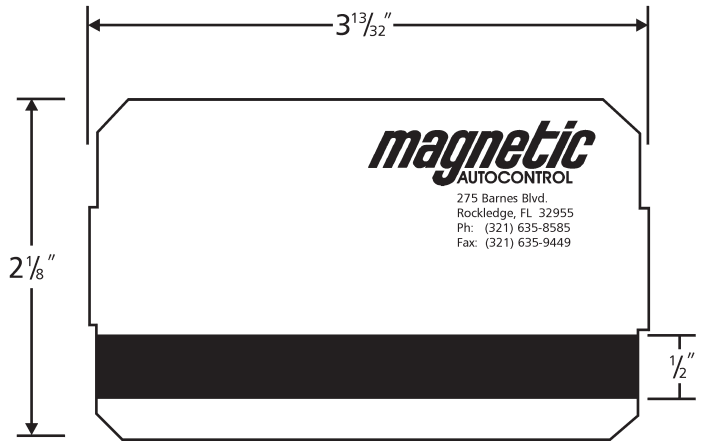
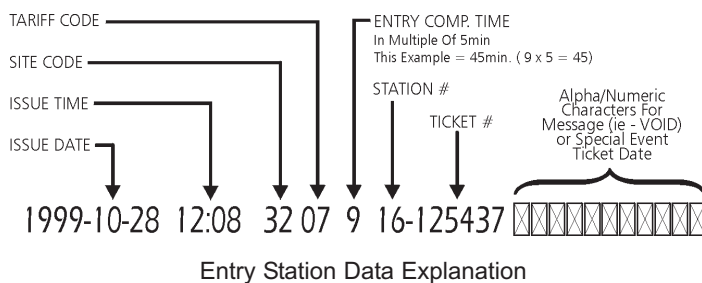
Teratronik

Features

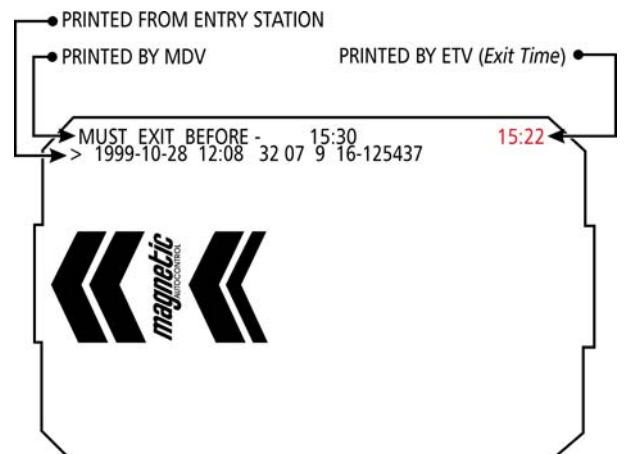
- 6 Time to read, verify and vend gate < 2 sec.
- 6 Thermostatically controlled internal environment.
- 6 Supports multiple loop configuration and directional logic.
- 6 Programmable, LCD display for messages, prompts, etc. (*Requires On-Line version, Off-line version requires custom EPROM*).
- 6 Large front panel provides space for mounting of optional devices (*ie - intercom*).
- 6 Single or Bi-lingual Display.
- 6 Auto-switching Day / Night display mode.
- 6 Date - 3 different formats
- 6 Both 12 & 24 Hour Time formats.
- 6 Supports external Card Access system signal pulse.
- 6 Gault Fault (*Input Option*).
- 6 Disable ETV (*Input Option*).
- 6 Gate Close (*Output Option*).
- 6 Maintenance Required Indicator (*Output Option*). (*ie - Ticket Jam, Ticket Head Service, etc.*)

The MEC Exit Station provides the following for input and outputs:

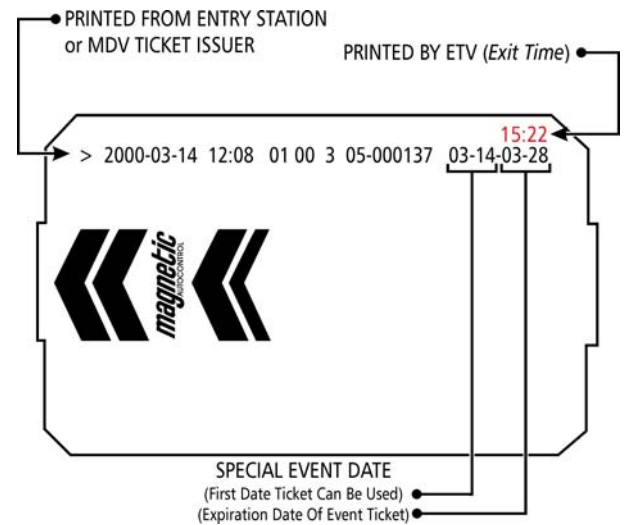
- 6 8 Digital Inputs (*5 Fixed, 3 Variable*)
- 6 4 Digital Outputs (*1 Fixed, 3 Variable*)



Bottom Of Ticket With 3 Track Mag-Stripe



Top Of Ticket - Showing Entry Ticket Data, MDV Data and ETV Exit Transaction Time



Top Of Event Ticket - Ticket After Processed by ETV