



Entry Station Magnetic-Stripe TEC 70/76

* Shown with optional HID card reader

Technical Data:

Mechanism	
Display	Backlit
Voltage	VAC
Frequency	
Power Consumption	Watts
Ticket Thickness	mm
Ticket Capacity	Cap
Printer	
Environmental	°F
Weight	lbs

	TEC70N <i>Off-Line V4 Controller</i>	TEC76N <i>On-Line V4 Controller</i>
	115	115
	60	60
	600	600
	0.15 to 0.30	0.15 to 0.30
	5000	5000
	Black or 1 color	Black or 1 color
	-4 to +104	-4 to +104
	100	100

Description

The TEC series of mag-stripe entry stations have been developed for use in single and multiple lane parking facilities.

As the tickets are issued they are encoded with all of the necessary transaction data, including time, date, ticket sequence number, rate number, entry lane number, and site number.

Housing

For extreme durability and corrosion resistance the TEC Exit Station housing is constructed from 14 gauge galvanized, phosphate treated sheet steel with a stainless steel base. As a standard the housing is powder coated with RAL 9010 White polyester powder.

Technology

Teratronik's TEC ticket dispenser uses a high quality stainless steel ticket head to provide the robustness required in harsh parking environments. Using industry standard credit card size ticket stock the TEC70/76 can feed, cut, encode, print and issue a machine readable parking ticket in less than 2 seconds.

The TEC line of ticket dispensers

utilizes a simplified modular design to facilitate easy maintenance and servicing. The TEC70 supports a variety of loop configurations to fit various application requirements. For example: if a patron backs out of the entry lane without taking the issued ticket from the dispenser, a special feature will retract the ticket and drop it in a secure holding bin.

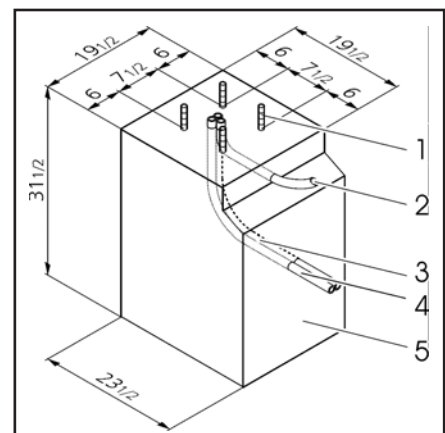
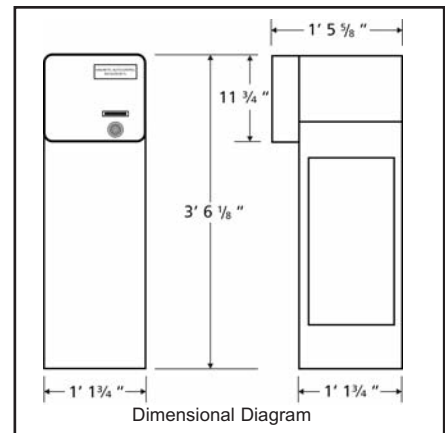
Off-Line

The MEC76N off-line Entry Station is compatible with the (WinMAC) fee computer. The MEC70 will provide information such as; low ticket stock, ticket issue status, stolen ticket, date & time

Foundation

Thanks to dimensions and construction that are identical to those of our MIB barriers, the same kind of foundation is

- 1 Anchor bolts (4 pieces)
- 2 Conduit for loop connection 1"
- 3 Conduit for main power cable 1"
- 4 Conduit for control cable 1"
- 5 Concrete foundation (BH PC 250 strength W = 4000lbf/in²)



Teratronik

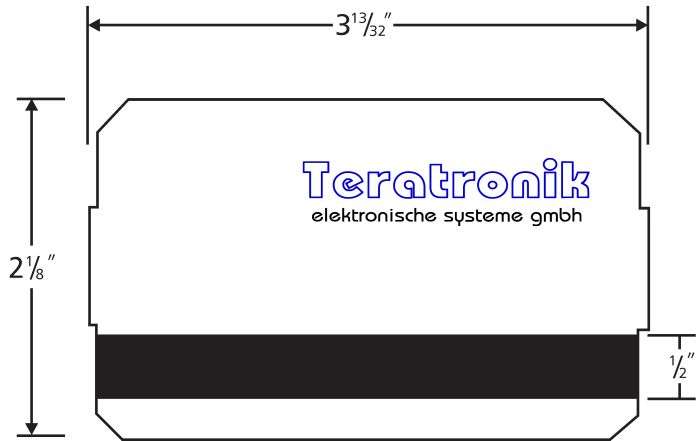
elektronische systeme gmbh

Features

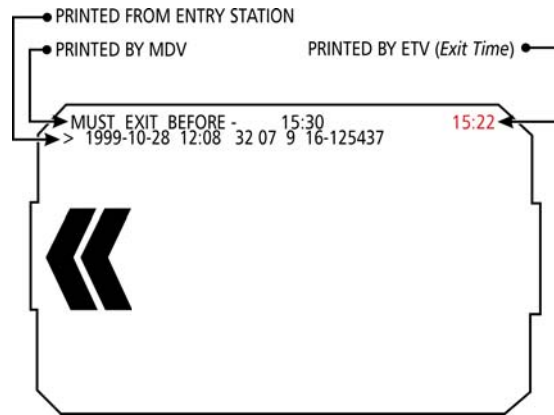
- Time to read, verify and vend gate < 2 sec.
- Thermostatically controlled internal environment. 6
- Supports multiple loop configuration and directional logic.
- Programmable, LCD display for messages, prompts, etc. (*Requires On-Line version, Off-line version requires custom EPROM*).
- Large front panel provides space for mounting of optional devices (*ie - intercom*).
- Single or Bi-lingual Display.
- Auto-switching Day / Night display mode.
- Date - 3 different formats
- Both 12 & 24 Hour Time formats.
- Supports external Card Access system signal pulse.
- Gault Fault (*Input Option*).
- Disable ETV (*Input Option*).
- Gate Close (*Output Option*).
- Maintenance Required Indicator (*Output Option*).
- (*ie - Ticket Jam, Ticket Head Service, etc.*)

The TEC Exit Station provides the following for input and outputs:

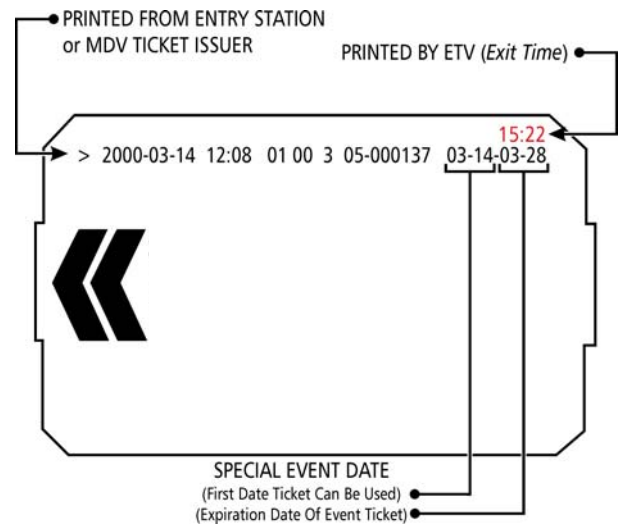
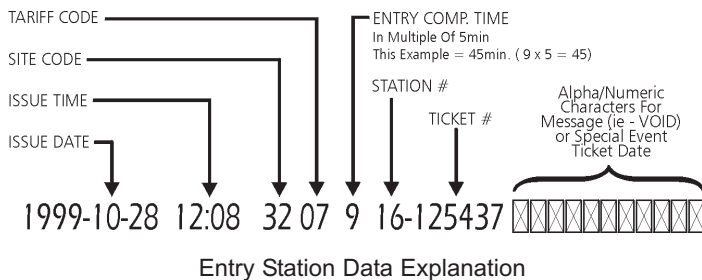
- 8 Digital Inputs (*5 Fixed, 3 Variable*) 6
- 4 Digital Outputs (*1 Fixed, 3 Variable*)



Bottom Of Ticket With 3 Track Mag-Stripe



Top Of Ticket - Showing Entry Ticket Data, MDV Data and ETV Exit Transaction Time



Top Of Event Ticket - Ticket After Processed by ETV