

MODEL 13771
DOMINATOR™
Motorized
WEDGE BARRIER

THE ONLY CHOICE...For your traffic control needs.



- *HEAVY DUTY WEDGE*
- *INSTALL ON ASPHALT OR CONCRETE*

*12' (3.5 meters) Unit
805 – 834 lbs.*

13760 MODELS
STAND ALONE
Without Arm

13760.100 Safety Red
13760.120 Galvanized

13771 MODELS
w/Guardian Operator

13771.100 Safety Red
13771.120 Galvanized

13772 MODELS
w/Hi-Performance Operator

13772.100 Safety Red
13772.120 Galvanized

13773 MODELS
w/Hydraulic Operator

13773.100 Safety Red
13773.120 Galvanized

1 Year Limited Warranty



- **Motorized Wedge Barrier System**
- **Stop Wrong Way Traffic**
- **Surface Mount to Road – Easy to Install**



Guardian's DOMINATOR™ Surface Mounted Wedge Barrier System is designed and engineered for intermediate to high-threat security facilities requiring a higher level of access protection. The DOMINATOR™ is a complete integrated package with a robust, full-featured and powerful gate barrier arm that delivers a formidable and intimidating visual deterrent. The DOMINATOR™ has great stopping power by preventing the vehicle from unauthorized entry.

This totally self-contained design is extremely easy to install and set up, and provides exceptional value to the site that requires extra protection along with a cost-oriented solution for vehicular access control.

GUARDIAN reserves the right to make changes to specifications at any time

FALCON EYE GLOBAL SECURITY, LLC.

Domenic Caruso, President

1.215.266.0707

dcaruso@falconeyglobal.com • www.falconeyglobal.com



COPYRIGHT © 2014 Guardian Traffic Systems

MODEL 13771
DOMINATOR™
Motorized
WEDGE BARRIER

"Easy to Install—Wedge Barrier"
Traffic Control System

Specifications

Heavy Duty Steel Frame Construction

Heavy Duty Double Wedge

Positive Barrier Action

Optional LED Stop-Go Light w/post & mounting bracket
Part #13340.200

Asphalt Installation

Epoxy—2 Part—1 Gallon
Part #14250.100-D

Concrete Installation

1/2" Bolt
Part #14320.400
Drill Bit for 1/2" Bolt
Part #14320.700

Available Options

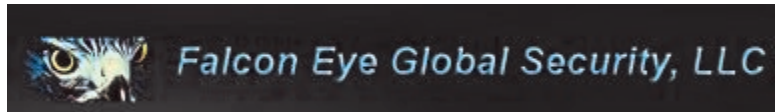
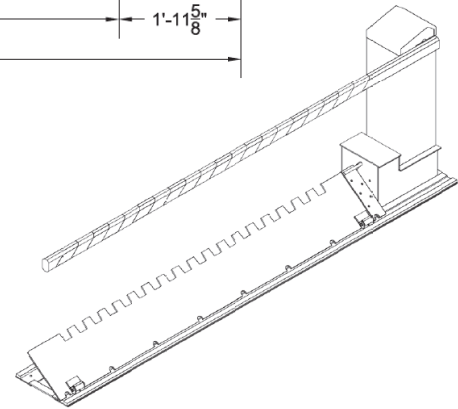
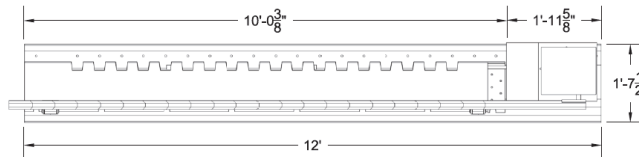
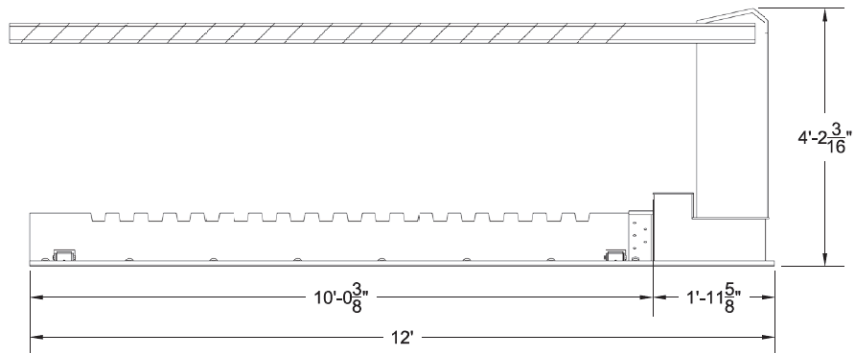
Safety Red or Yellow
Galvanized
Powder Coated

DOMINATOR™



Features and Benefits

- *Totally Self Contained*
- *Small, Desirable Footprint*
- *All Automated System*
- *Positive Barrier Action*
- *Gravity Design for Stress Reduction*
- *Double Strength Barrier Edge*
- *Fast Response Both Directions*
- *Works on All Access Control Devices*
 - *Push Buttons—Receiver*
 - *Open/Close Switches*
 - *Keypad*
 - *Card Reader*
 - *Open/Close Loops*



401 Primrose Dr., Upper Gwynedd, PA 19446

1.215.266.0707

sales@guardiantraffic.com • www.guardiantraffic.com



1 Year Limited Warranty