

# Cobra II

HEAVY DUTY TRAFFIC  
SPIKE SYSTEMS



Guardian's Cobra II Heavy Duty Traffic Spike Systems are designed and engineered for commercial truck traffic to proceed freely in one direction. The Cobra II Systems' main function is to prevent vehicles from traveling through controlled entry locations by puncturing tires while allowing unrestricted passage for vehicles traveling in the allowable direction.

Cobra II Traffic Spike Systems provide extremely effective and economical one-way directional, unmanned traffic control. Available for surface or in-ground installation, Cobra II products are mechanically activated and engineered with spring-loaded teeth along with a counter-balanced back-up system that provides reliable and low maintenance operation.

**Guardian's Cobra II Heavy Duty Traffic Spike Systems - The Only Choice for Your Commercial and Truck Traffic Control Needs.**

## 1167.100 In-Ground

3' (914mm)

Installs Flush to Road Surface

## 1236.100 Surface Mount

3' (914mm)

Mounts on Road Surface - Provides Speed Bump

Unrestricted Traffic in Free Direction

Discourages Wrong Way Traffic

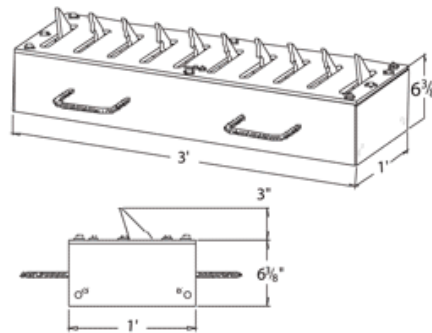
### Unparalleled Features in the Industry

- Top Plate Mounted Components
- Durable Stainless Steel Spring
- Heavy Duty Steel Construction
- Positive Stop Eliminates Wear
- Specially Engineered Teeth
- Reliable Zinc Plated Moving Parts
- Built-in Latch Down

### Benefits to You

- Virtually Maintenance Free/Easier Cleaning
- Trouble Free Operation
- Durable Spring Loaded Teeth with Counter-Balanced Back-Up
- Modular Style Provides Design Flexibility
- Eliminates Tire Damage in Unrestricted Direction
- Corrosion Prevention
- No Added Cost

Easy Installation Instructions Provided  
Two-Year Limited Warranty



**1167.100**

*The Only Choice...For your traffic control needs.*

## COBRA II Traffic Spike System

### COBRA II IN-GROUND TRAFFIC SPIKE SYSTEMS

ITEM #	PRODUCT DESCRIPTION	LBS	KGS
1167.100	3' (914mm) COBRA II Heavy Duty In-ground Traffic Spike Section	140	64
1167.120	3' (914mm) COBRA II Heavy Duty In-ground Traffic Spike Section - Galvanized	140	64

### COBRA II SURFACE MOUNTED TRAFFIC SPIKE SYSTEMS

1236.100	3' (914mm) COBRA II Heavy Duty Surface Mount Traffic Spike Section	132	60
1236.120	3' (914mm) COBRA II Heavy Duty Surface Mount Traffic Spike Section- Galvanized	132	60
1236.180	18" (457mm) COBRA II Heavy Duty Surface Mount Spacer	50	23
1236.182	18" (457mm) COBRA II Heavy Duty Surface Mount Spacer - Galvanized	50	23
1236.190	7" (178mm) COBRA II End Bevel - Set of two (Fits COBRA II Surface Mount Units)	26	12
1236.192	7" (178mm) COBRA II End Bevel Galvanized - Set of two (Fits COBRA II Surface Mount Units)	26	12

### WARNING SIGNS

- 1410.100 GUARDIAN Warning Sign, Lighted
- 1414.100 GUARDIAN Warning Sign, Reflective

### WARNING SIGN POSTS

- 1416.100 GUARDIAN Warning Sign Post – In-ground Set – 6' (1829mm)
- 1416.110 GUARDIAN Warning Sign Post – Surface Mount – Bolts to Concrete – 4' (1219mm)

### EPOXY

- 1425.100 Epoxy - Standard Set - 1 Gallon

### SPEED BUMPS

- 1430.160 2" X 10" X 6' Standard Speed Bump – Yellow

### DELINEATOR

- 1435.100 4" X 4" Yellow Traffic Delineator

**\*Warning** Guardian Traffic Spike Systems are engineered to be used at a maximum speed of 5 miles per hour. Vehicles must pass over the unit so that the tire is parallel to the teeth and not at any angle. Traffic Spike Systems require Warning Signs. Locating and installing a Traffic Spike System incorrectly or not using warning signs invalidates any implied or real warranty.

*All specifications subject to change at any time without notice*

